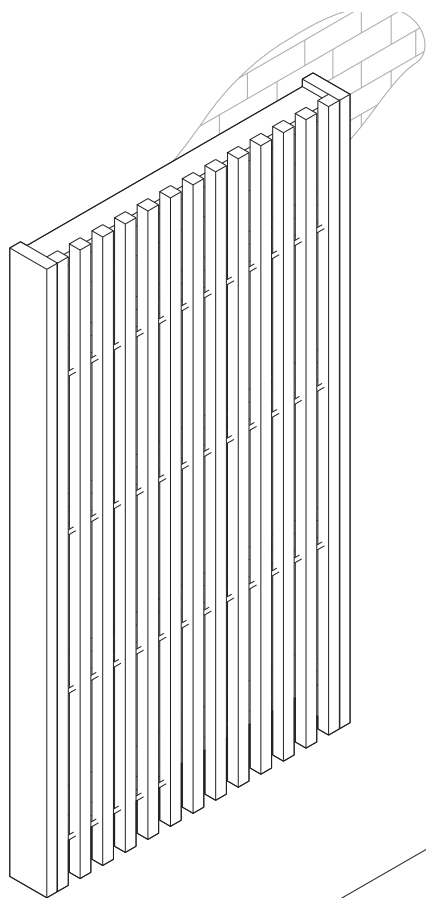
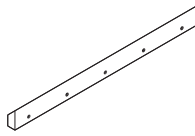
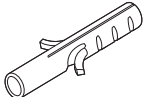



72090TEAK PIANO RACK
 ASSEMBLY INSTRUCTIONS FOR RACK INSTALLATION

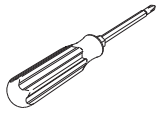

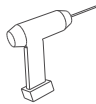
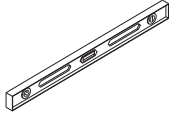
PER/USE



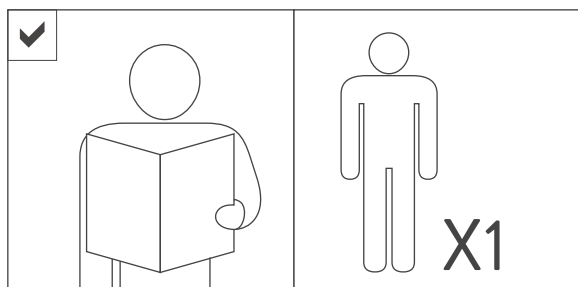
HARDWARE ENCLOSED

| | |
|-----------------------------------------------------------------------------------------------------------------|-----------------------------------------------------------------------------------------------------------------|
|  HANGING HARDWARE 1 pc |  WALL PLUG (Ø 8) 4 pcs |
|  SCREW (4 x 60) 4 pcs | |

TOOLS (not included in package)

| | |
|--------------------------------------------------------------------------------------------------------------------|-------------------------------------------------------------------------------------------------|
|  CROSS-HEAD SCREWDRIVER |  PENCIL |
|  DRILLING MACHINE |  LEVEL |

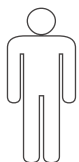
NOTICE



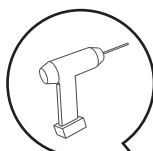
SYMBOLS



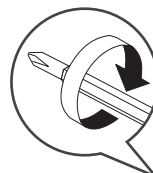
DIRECTION



NUMBER OF
 PERSON NEEDED



USE DRILLING
 MACHINE



USE SCREWDRIVER
 TO TIGHTEN

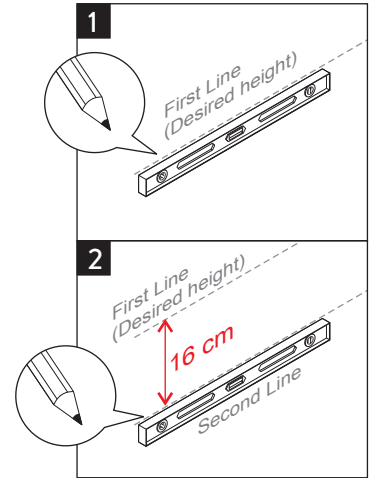
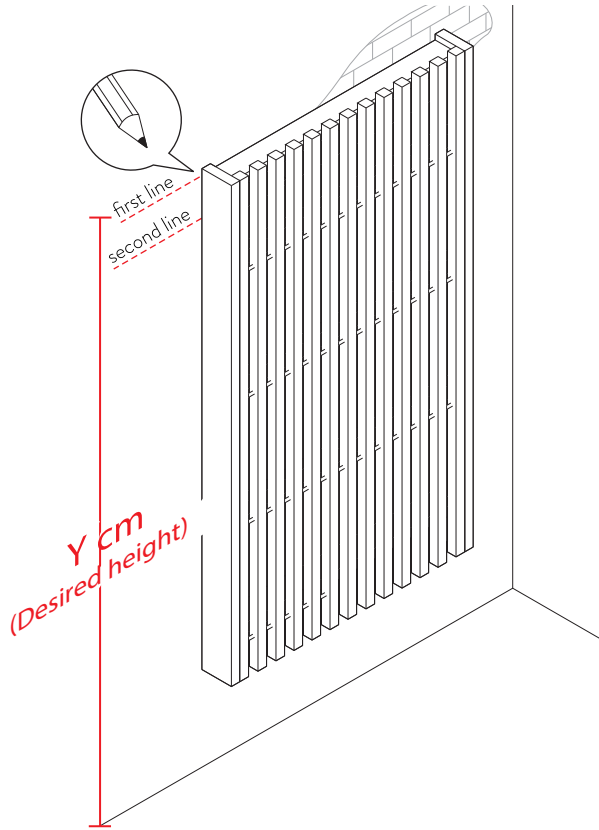


USE PENCIL

72090 TEAK PIANO RACK ASSEMBLY INSTRUCTIONS FOR RACK INSTALLATION

PER/USE

A DETERMINE THE LINE

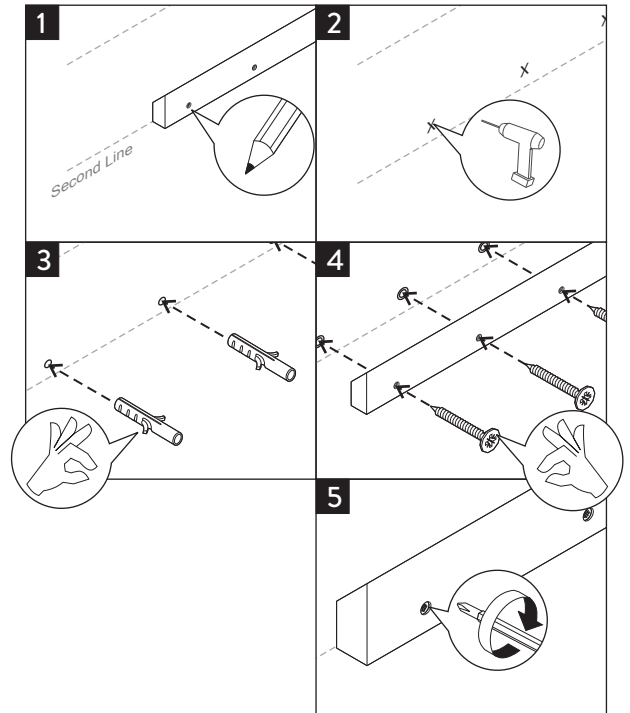
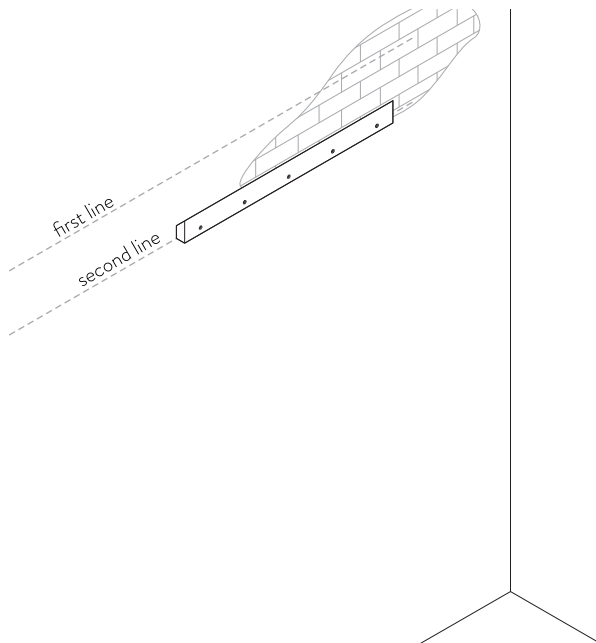


! USE LEVEL FOR ALIGNMENT

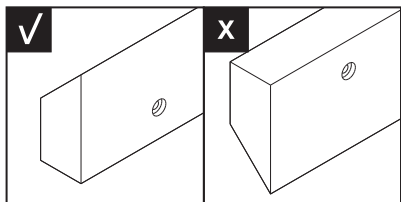
FOR EXAMPLE

If you want to hang the Piano with the top (first line) at a height of 195 cm, the bottom of the beam (second line) should be placed at $(195 - 16^* =) 179$ cm.

B INSTALLING HANGING HARDWARE



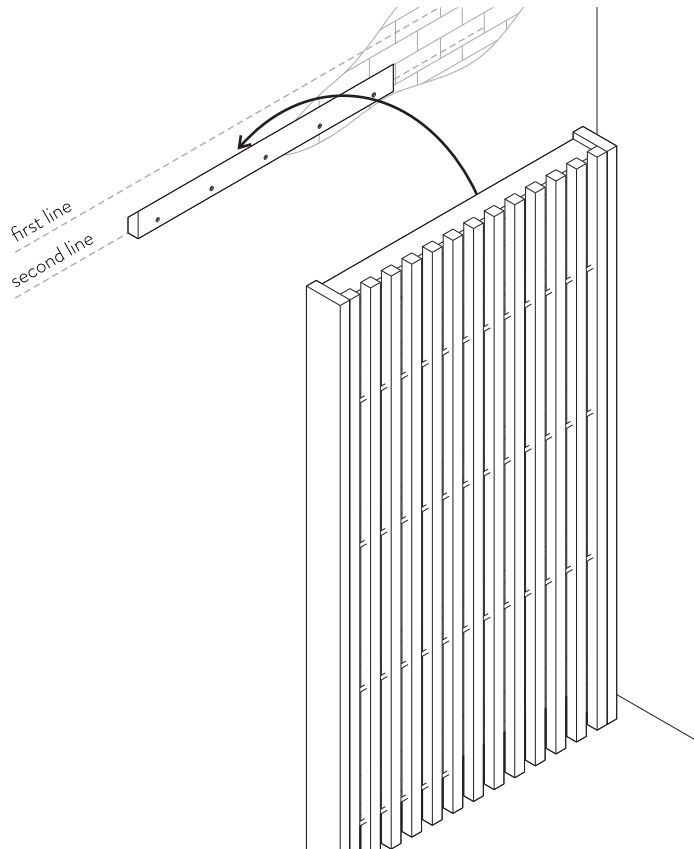
! TIGHTEN FULLY



72090 TEAK PIANO RACK
ASSEMBLY INSTRUCTIONS FOR RACK INSTALLATION

PER/USE

C HANGING RACK TO THE HANGING HARDWARE



D FINISH

