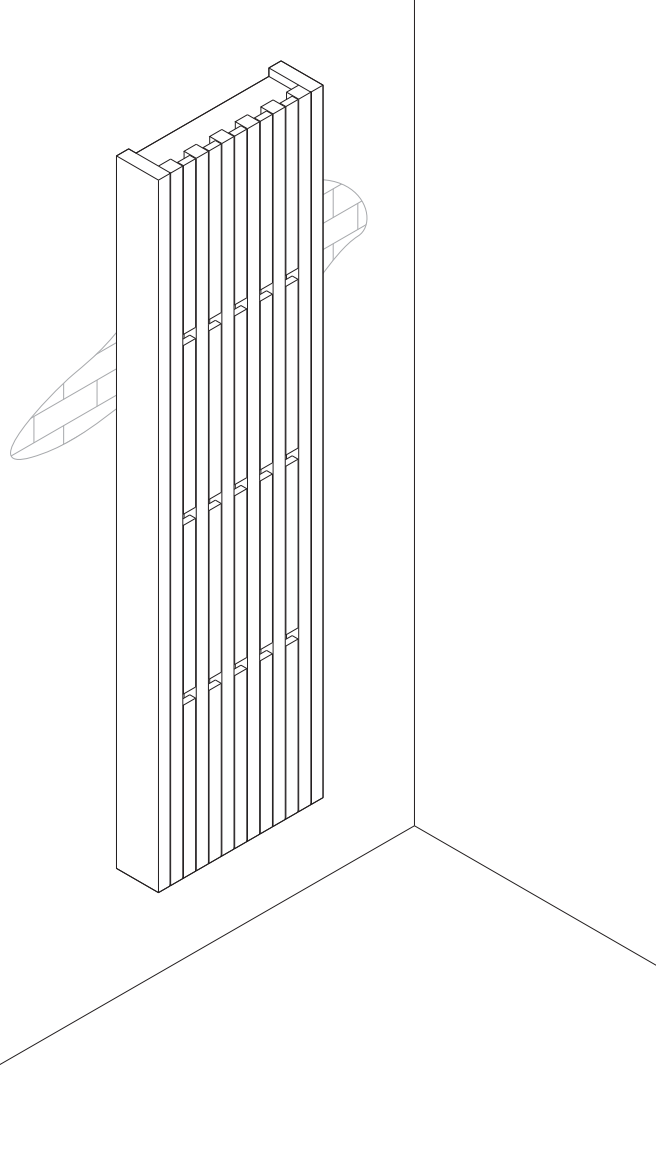
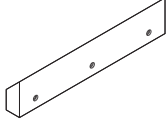
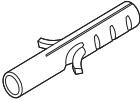
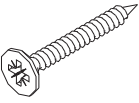


72089 TEAK PIANO RACK ASSEMBLY INSTRUCTIONS FOR RACK INSTALLATION

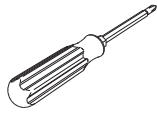

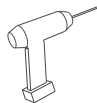
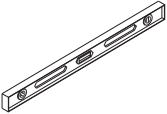
PER/USE



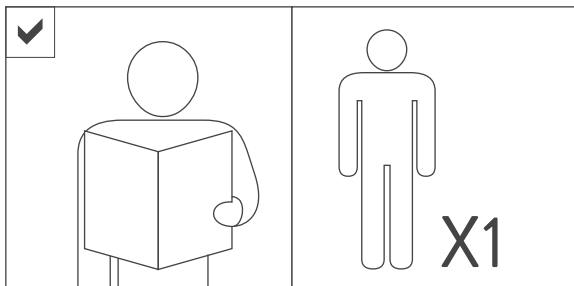
HARDWARE ENCLOSED

 HANGING HARDWARE 1 pc	 WALL PLUG (Ø 8) 4 pcs
 SCREW (4 x 60) 4 pcs	

TOOLS (not included in package)

 CROSS-HEAD SCREWDRIVER	 PENCIL
 DRILLING MACHINE	 LEVEL

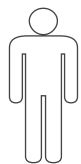
NOTICE



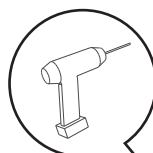
SYMBOLS



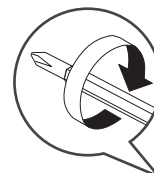
DIRECTION



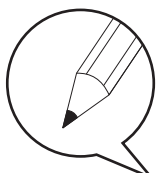
NUMBER OF
PERSON NEEDED



USE DRILLING
MACHINE



USE SCREWDRIVER
TO TIGHTEN

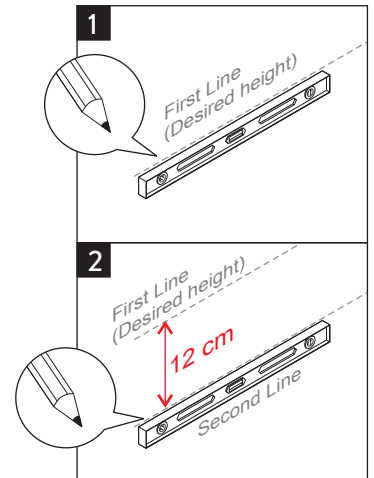
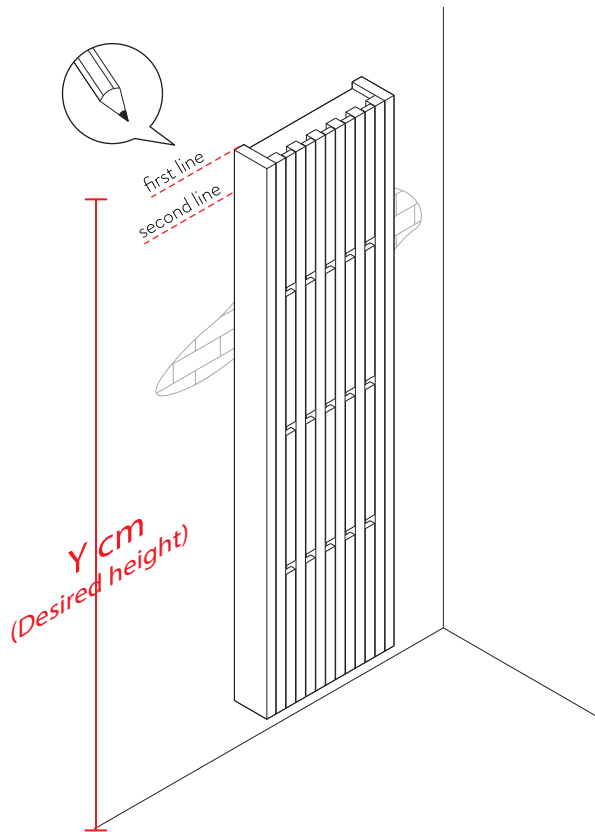


USE PENCIL

72089 TEAK PIANO RACK
 ASSEMBLY INSTRUCTIONS FOR RACK INSTALLATION

PER/USE

A DETERMINE THE LINE

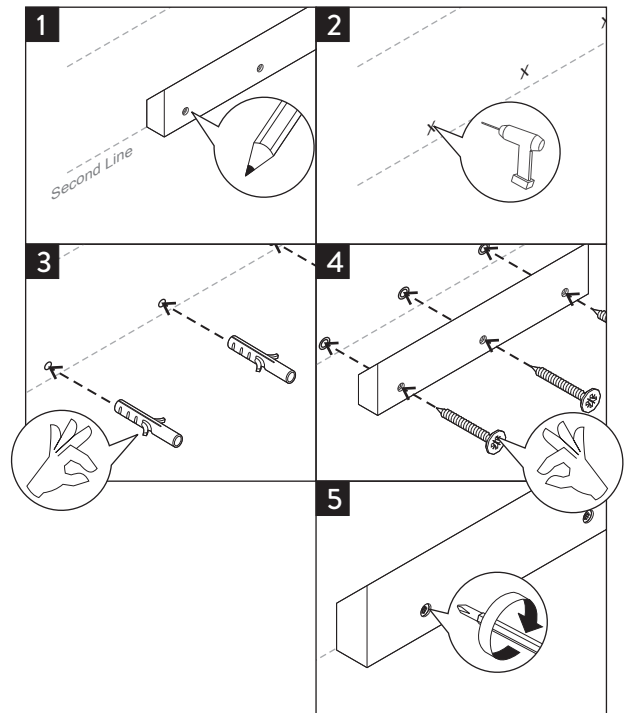
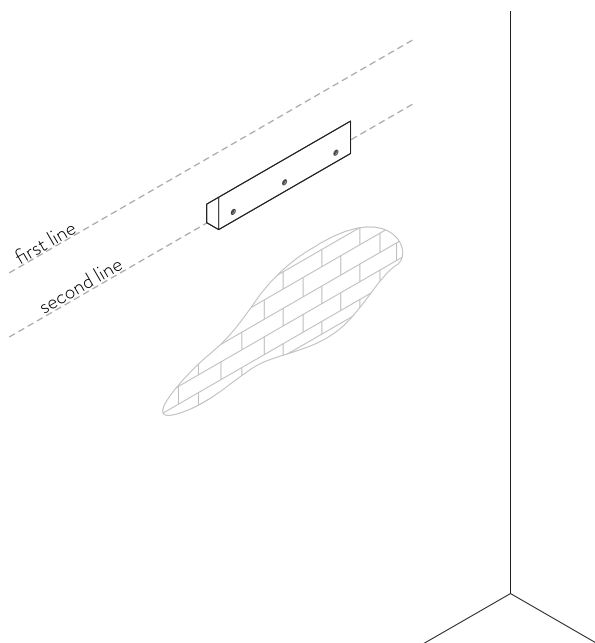


USE LEVEL FOR ALIGNMENT

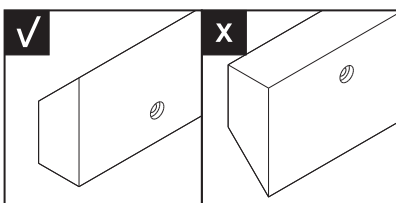
FOR EXAMPLE

If you want to hang the Piano with the top (first line) at a height of 195 cm, the bottom of the beam (second line) should be placed at $(195 - 12^* =) 183$ cm.

B INSTALLING HANGING HARDWARE



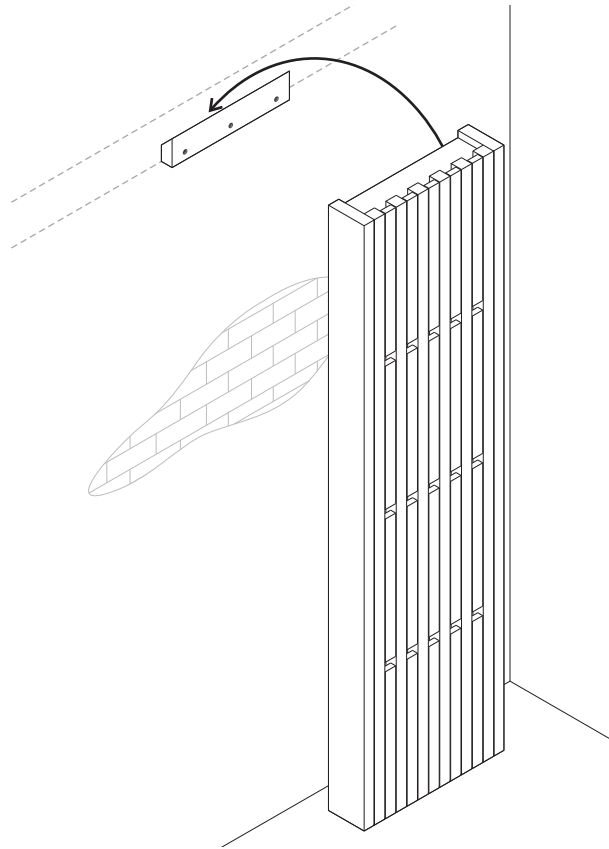
TIGHTEN FULLY



72089 TEAK PIANO RACK
ASSEMBLY INSTRUCTIONS FOR RACK INSTALLATION

PER/USE

C HANGING RACK TO THE HANGING HARDWARE



D FINISH

